



NSF Campus Cyberinfrastructure PI and
Cybersecurity Innovation for Cyberinfrastructure PI Workshop
October 3-4 | Albuquerque, New Mexico

NSF Program (either CC or CICI):

Program Area:

Award Number:1541401

Network Infrastructure

PI: Carol Wood (IU)

co-PIs: Dipika Gupta, Jerry D. Hinnefeld, Hitesh Kathuria, Patrick Motl

Project Title:CC*DNI Networking Infrastructure: IU Regional Campus Network Infrastructure to Support Scientific Research

Carol Wood

Executive Director IT
Adj Prof Chemistry
Indiana University
Northwest
cfwood@iu.edu

Dipika Gupta

Asso Prof of Biochemistry
and Molecular Biology
Indiana University School
of Medicine
dgupta@iun.edu

Jerry Hinnefeld

Professor Physics and
Astronomy
Indiana University
South Bend
jhinnefe@iusb.edu

Hitesh Kathuria

Asso Prof Chemistry and
Biochemistry
Indiana University
Kokomo
hikathur@iue.edu

Patrick Motl

Asso Prof Physics
Indiana University
Kokomo
pmotl@iuk.edu



NSF Campus Cyberinfrastructure PI and Cybersecurity Innovation for Cyberinfrastructure PI Workshop

October 3-4, 2017 | Albuquerque, NM

Quad Chart for:

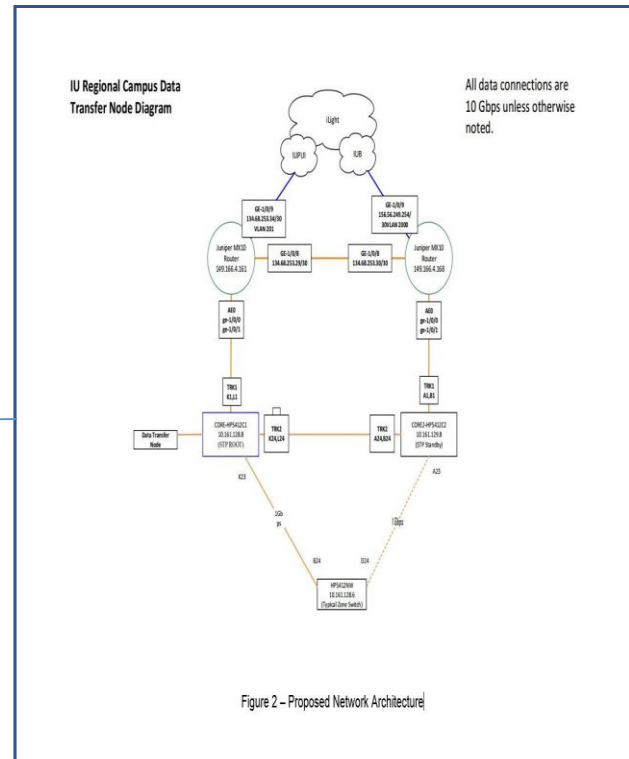
IU Regional Campus Network Infrastructure to Support Scientific Research

Approach:

- Enable regional campus high speed access to IU Research Technology Systems
- Securely store, share and access scientific data
- Support high speed data downloads from national labs

Solution(s) or Deliverables:

- Upgrade each regional campus I-Light connection from 1 Gbps to 10Gbps
- Upgrade each regional campus core routing hardware to 10Gbps
- Install a Data Transfer Node at each regional campus to buffer and handle protocol conversion and packaging of the data to enable high speed data transfer



Scientific Impact:

- Increase regional campus scientists' computational access to IU's Big Red2, Data Capacitor
- Enable high speed access to metagenomics data from MGRAST for student use in science labs
- Archive research data

Metadata tag:

- *<Ready for transition to practice!>*
- *<Publications pending>*
- *<Student engagement>*